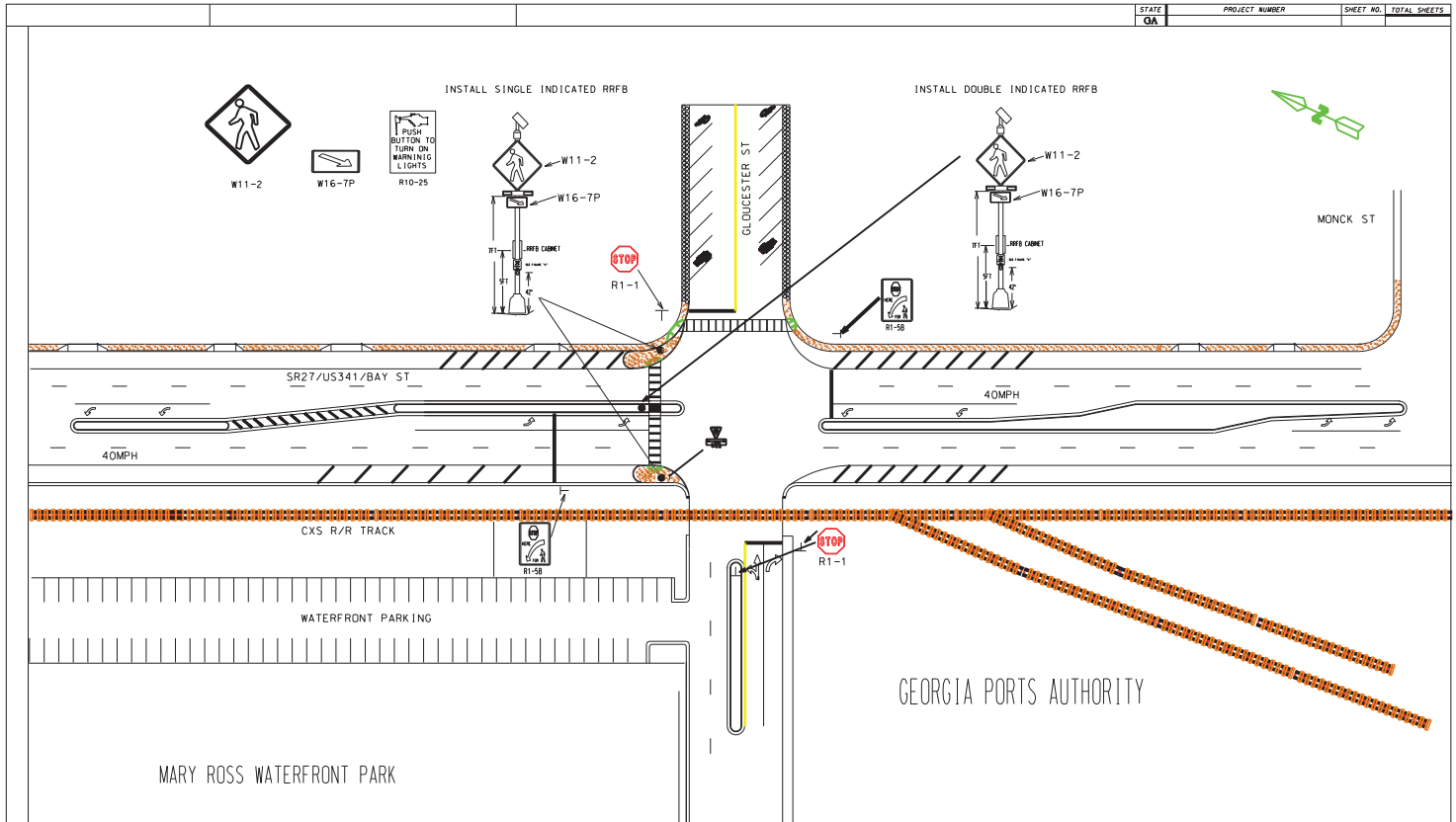


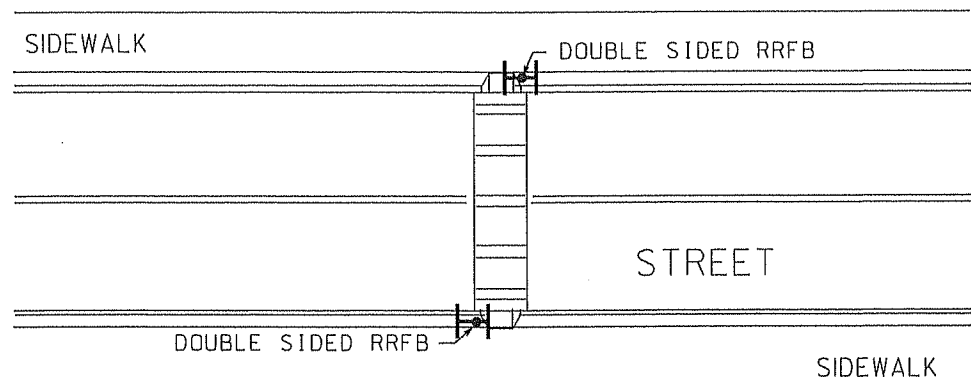
STATE	PROJECT NUMBER	SHEET NO.	TOTAL SHEETS
GA			



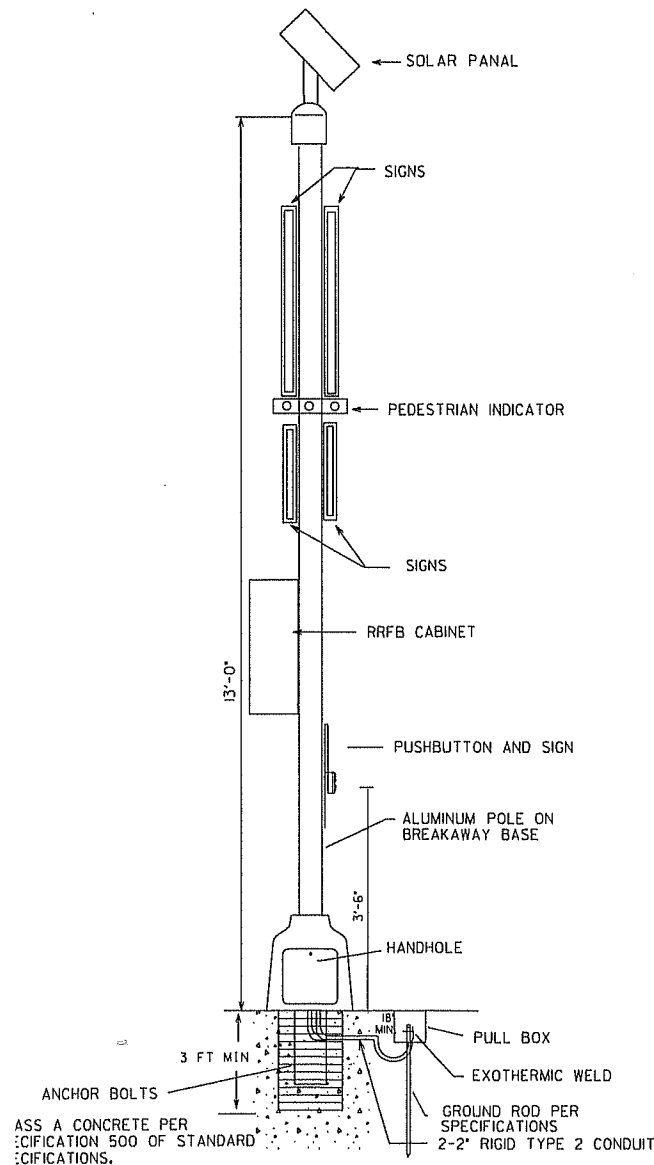
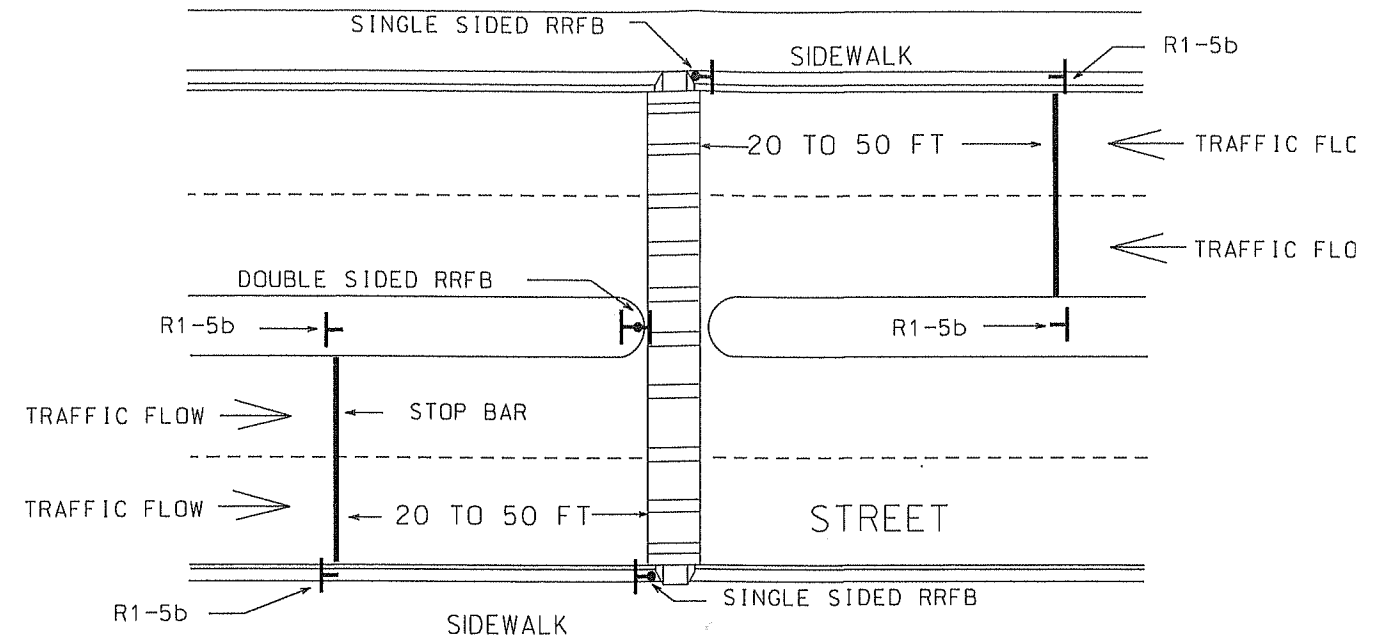
DATE	REVISIONS	DATE	REVISIONS

STATE OF GEORGIA  
DEPARTMENT OF TRANSPORTATION  
SR27/US341 AT GLOUCESTER ST  
RETANGULAR RAPID FLASHING BEACON  
CITY OF BRUNSWICK  
GLYNN COUNTY

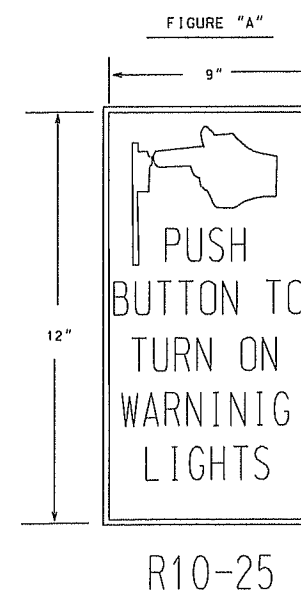
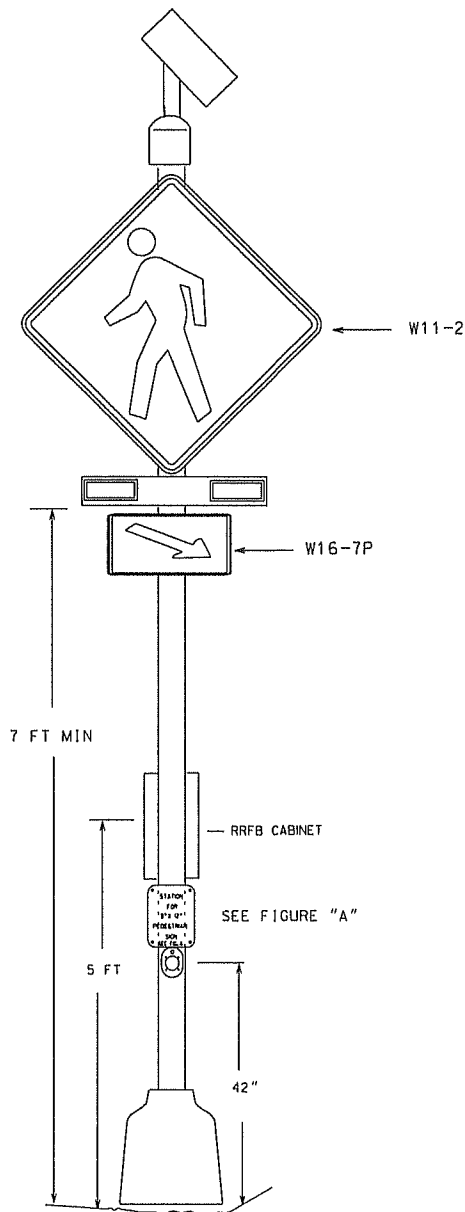
SINGLE LANE DETAIL



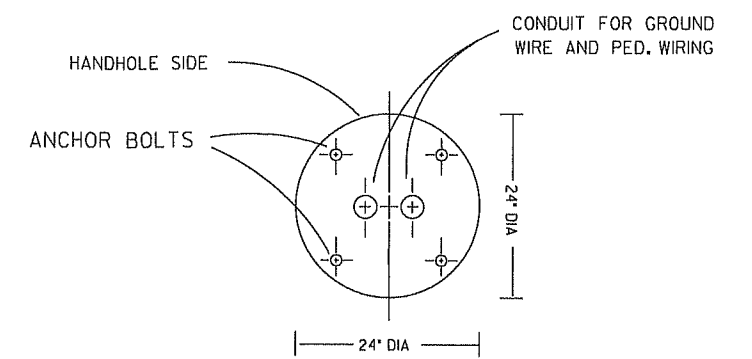
multilane LANE DETAIL



TYPICAL DETAIL FOR RRFB SIGNAL POLES



ANCHOR BOLT/CONDUIT ORIENTATION



PED POLE BASE (TOP VIEW)

DATE	REVISIONS	GEORGIA DEPARTMENT OF TRANSPORTATION OFFICE OF TRAFFIC SAFETY & DESIGN
		DETAILS OF RECTANGULAR RAPID FLASHING BEACON
		NO SCALE
		NOVEMBER 21



W11-2

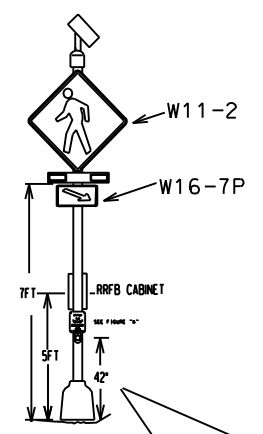


W16-7P



R10-25

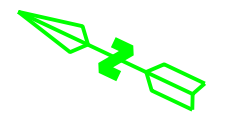
INSTALL SINGLE INDICATED RRFB



R1-1



R1-5B



GLoucester ST

F ST

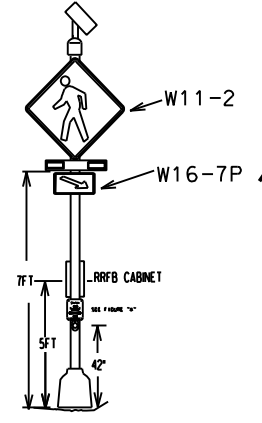
SR27/US341/BAY ST

40MPH

40MPH

CXS R/R TRACK

INSTALL DOUBLE INDICATED RRFB



R1-5B



R1-1

F ST

MARY ROSS WATERFRONT PARK PARKING

MARY ROSS WATERFRONT PARK

DATE	REVISIONS	DATE	REVISIONS

STATE OF GEORGIA  
DEPARTMENT OF TRANSPORTATION  
SR27/US341 AT F STREET  
RETANGULAR RAPID FLASHING BEACON  
CITY OF BRUNSWICK  
GLYNN COUNTY